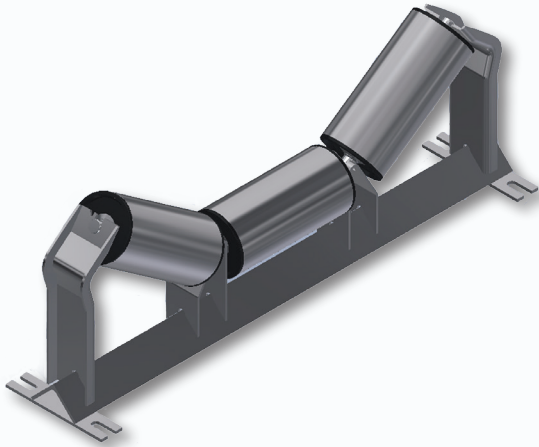


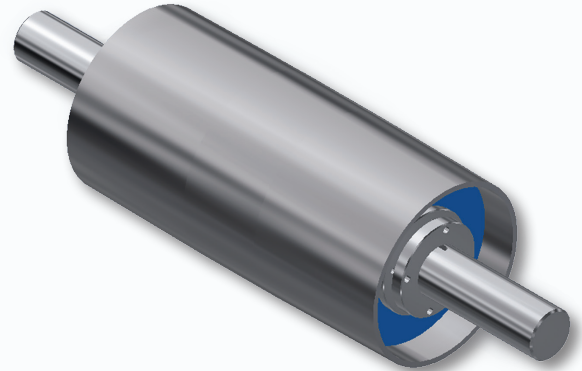
STAINLESS STEEL PRODUCTS

Luff offers a selection of conveyor products in stainless steel including complete idlers built to CEMA load ratings.

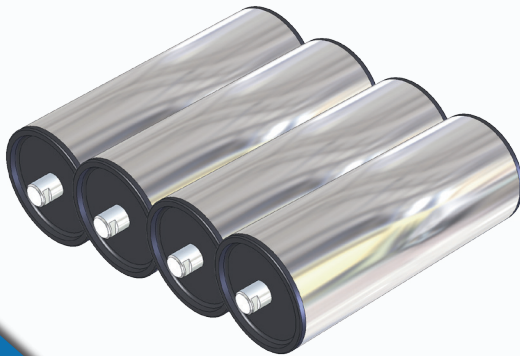


Products Available include:

- Complete Idlers
- Drum/Wing Pulleys
- Magnetic Drum Pulleys
- Complete Rolls
- HDPE Rolls with stainless steel shafts
- Idler Frames
- Take up Frames



- Luff Industries' stainless steel products are ideal for corrosive or magnetic applications. Stainless steel products can be found in several material handling industries including, ship-loading, salt mines, sewage treatment plants and food processing facilities.



- Stainless Steel is perfect for magnetic applications as the rollers do not interfere with the magnetic field.

2
Year Warranty



Grade 304 or 316 steel available

Conveying Performance

info@luffindustries.com
www.luffindustries.com



Luff Industries Ltd.
235010 Wrangler Road
Rocky View, (Calgary) Alberta, T1X 0K3

TF: 1.888.349.LUFF (5833)

P: 403.279.3555

F: 403.279.5709