

BRACKET DATA SHEET

COMPANY: _____

APPROVED FOR MANUFACTURE BY: _____

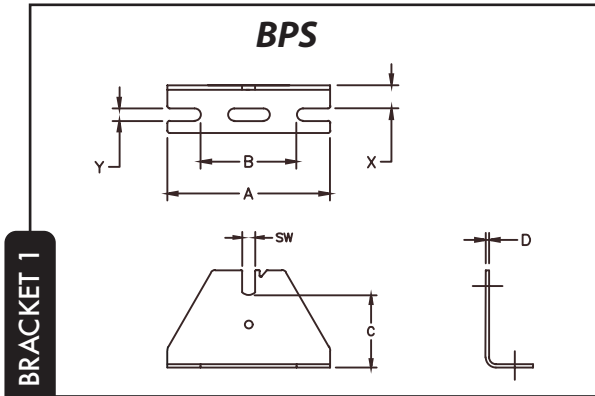
CONTACT: _____

DATE: _____

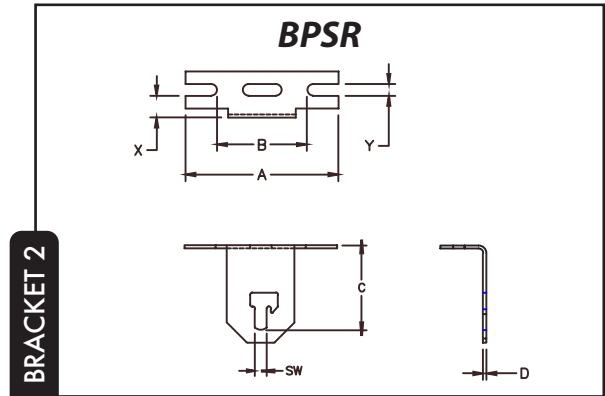
PHONE #: _____

SIGNATURE: _____

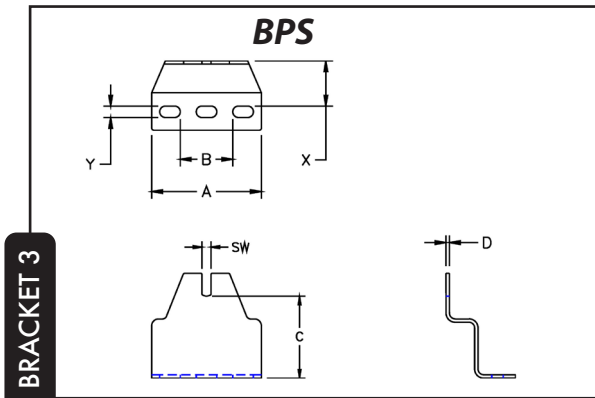
EMAIL: _____



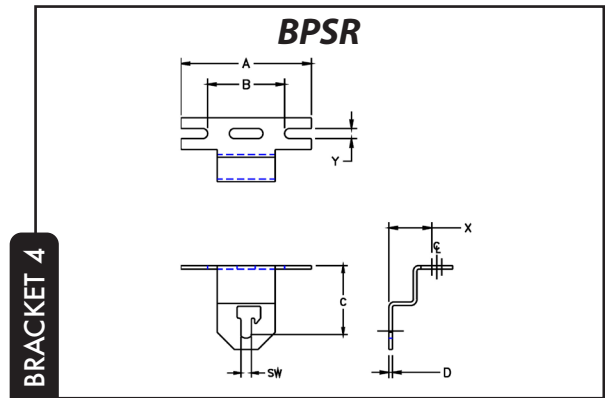
BRACKET 1



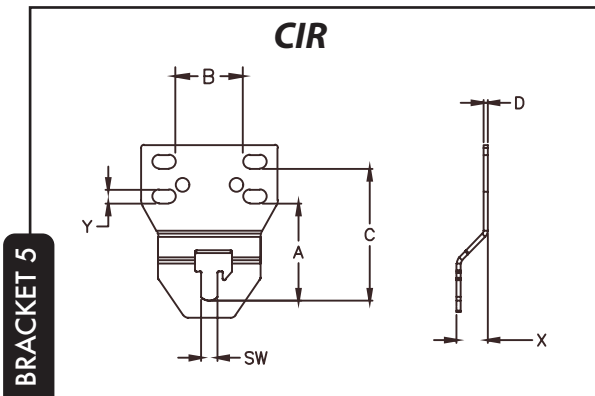
BRACKET 2



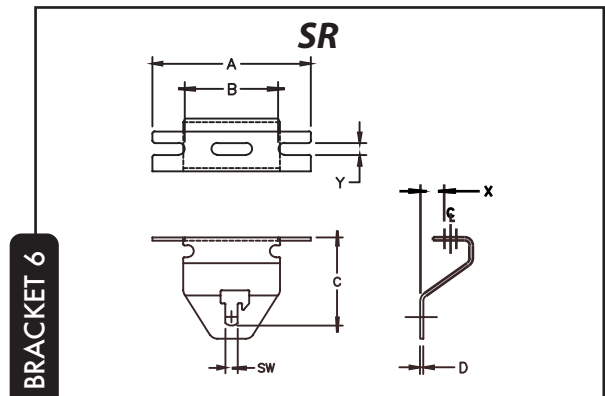
BRACKET 3



BRACKET 4



BRACKET 5



BRACKET 6

CHOOSE YOUR BRACKET

CHECK ONE

- BRACKET 1 – BPS
- BRACKET 2 – BPSR
- BRACKET 3 – BPS
- BRACKET 4 – BPSR
- BRACKET 5 – CIR
- BRACKET 6 – SR

QUANTITY	DIM A	DIM B	DIM C	DIM D	DIM X	DIM Y	DIM SW

NOTES: